



FRAMES, LOLLIPOPS & GADGETS



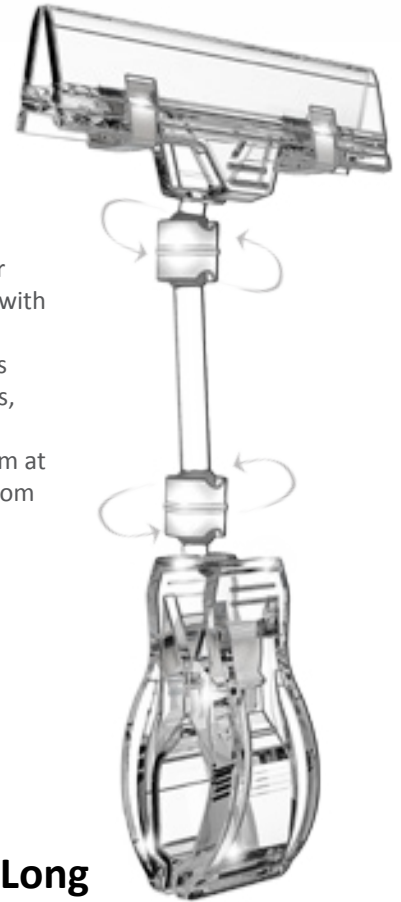
- Large, clear plastic multi-purpose gripper
- Rotational connector
- Ideal for baskets, glass shelves, ceramic bowls, deli areas and more
- Clamps over max. 8mm at top and 25mm at bottom
- 30pcs/carton



Flexi-Gripper

06K03 | BC50

- Large, clear plastic multi-purpose gripper
- Rotational connector with 50mm extended head
- Ideal for baskets, glass shelves, ceramic bowls, deli areas and more
- Clamps over max. 8mm at top and 25mm at bottom
- 30pcs/carton



Flexi-Gripper Long

06K03 | BC50-L

- Small, clear plastic multi-purpose gripper
- Rotational connector
- Ideal for glass shelves, deli areas and more
- Clamps over max. 10mm
- 30pcs/carton



Flexi-Twin Clip

06K03 | CC20

- Small, clear plastic multi-purpose gripper
- Rotational connector
- Magnetic base
- Ideal for metal shelves or surfaces (low heat)
- Clamps over max. 10mm
- 30pcs/carton



Flexi-Magnet Clip

06K03 | MC20

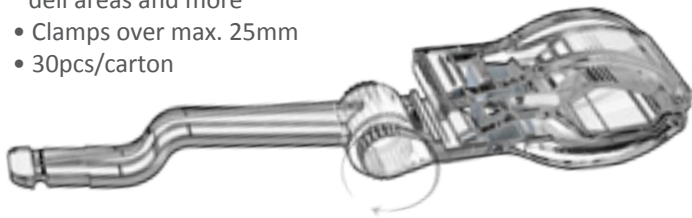


- Black plastic frame
- 74x105mm Landscape insert size
- 30pcs/carton

Shelf Talker Frame

LHK03 | ST-FRAME

- Large, clear plastic multi-purpose gripper/clamp
- Ratchet connector for back-and-forth positioning
- Ideal for baskets, glass shelves, ceramic bowls, deli areas and more
- Clamps over max. 25mm
- 30pcs/carton

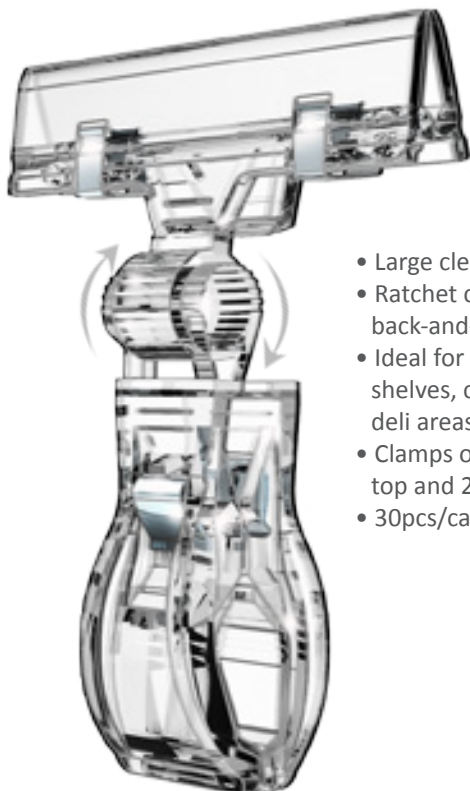


Frame Multi-Gripper

LHK03 | MT-GRIPFF



“ Use the Shelf Talker Frame with the Frame Multi-Gripper on ceramic bowls ”



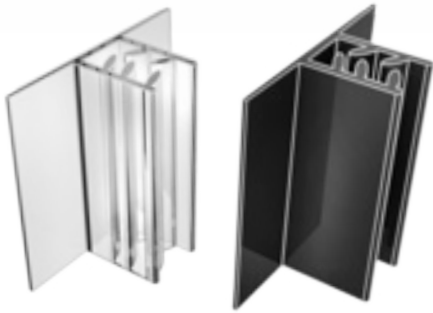
- Large clear plastic gripper
- Ratchet connector for back-and-forth positioning.
- Ideal for baskets, glass shelves, ceramic bowls, deli areas and more
- Clamps over max. 8mm at top and 25mm at bottom
- 30pcs/carton

Multi-Gripper

LHK03 | MT-GRIP



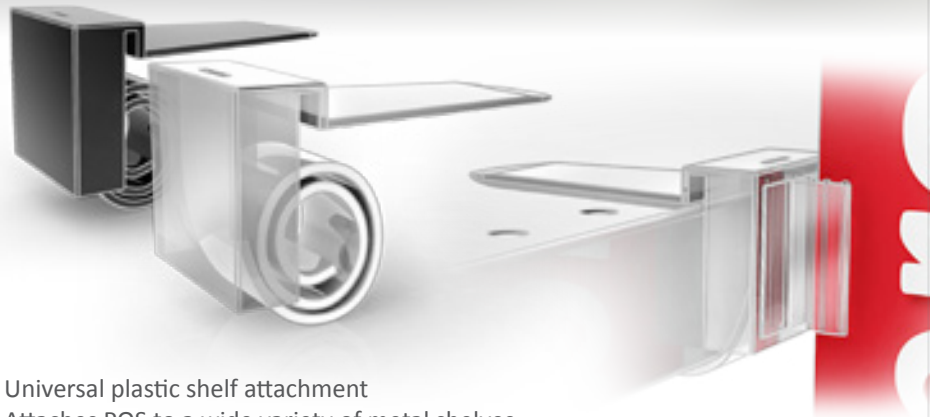
“ Multi-Gripper’s versatility ensures it can be used for a wide variety of applications ”



- Plastic gripper
- Standard with foam tape
- Available in clear and black
- 100pcs/carton

25mm Flag Grip

LHK03 | 25FLAG



- Universal plastic shelf attachment
- Attaches POS to a wide variety of metal shelves
- Can be ordered with or without flag grips and other attachments
- Available in white and black
- 50pcs/carton

Unifix

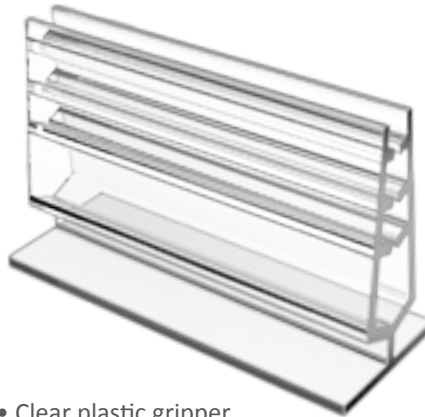
06K03 | UNI-FIX



- Clear plastic gripper
- Standard with foam tape
- 100pcs/carton

75mm Monster Rigid Flag Grip

06K03 | 75MR-FLAG



- Clear plastic gripper
- Standard with foam tape
- 100pcs/carton

75mm Monster Flexi Flag Grip

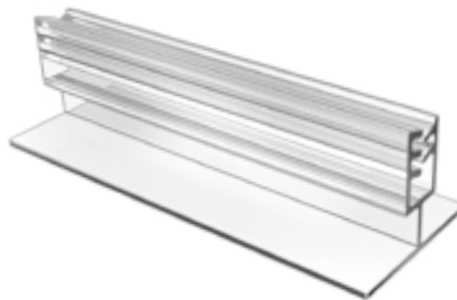
06K03 | 75MF-FLAG



- Clear plastic gripper
- Standard with foam tape
- 100pcs/carton

75mm Rigid Flag Grip

LHK03 | 75R-FLAG

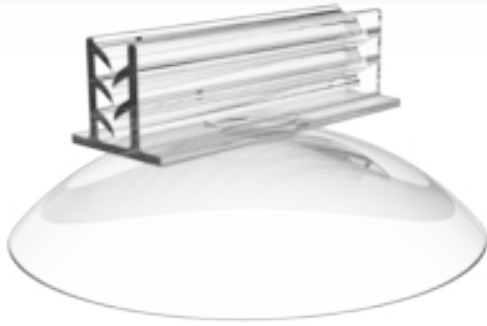


- Clear flexible plastic gripper
- Standard with foam tape
- 100pcs/carton

75mm Flexi Flag Grip

LHK03 | 75F-FLAG





- Clear plastic 50mm suction cup with 35mm gripper
- Attaches POS to smooth surfaces, such as fridges and till-points
- 50pcs/carton

Suction Cup Flag Grip

LHK03 | SC-FLAG



- Combination of 25mm plastic gripper and frame clip
- Attaches promo cards to plastic frames
- 50pcs/carton

Frame Clip Super Grip

LHK03 | FC-SFLAG



- Plastic frame with clear inner sleeve
- Standard colours: clear, white, and black.
- Red in A4 format only.
- Functions in portrait or landscape format
- A5, A4 and A3 sizes
- 20pcs/size/colour minimum order

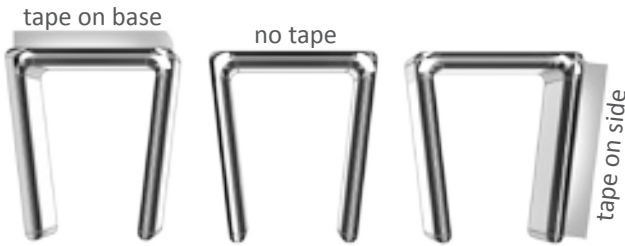
**RIGID
FRAME**



04K03 | A5-RIGID
04K03 | A4-RIGID
04K03 | A3-RIGID

U-shaped clip for mounting frames to walls and fixtures.

Three options available:



- Clear plastic attachment for mounting to flat surfaces
- 40pcs/carton

Mounting Frame Clip

- With no tape: LHK03 | CM-FC1
- With tape on side: LHK03 | CM-FC2
- With tape on base: LHK03 | CM-FC3



- Clear plastic connector clip
- Joins one frame to another
- 40pcs/carton

Joining Frame Clip

LHK03 | CJ-FC



- Clear plastic clip
- For hanging frames from wires
- One left and right side per set
- 40pcs/carton

Wire Hook Frame Clip

LHK03 | WH-FC



- Clear plastic clip
- Hooks for attaching frames to +/-10mm tube
- One left and right side per set
- 40pcs/carton

Clear Tube Frame Clip

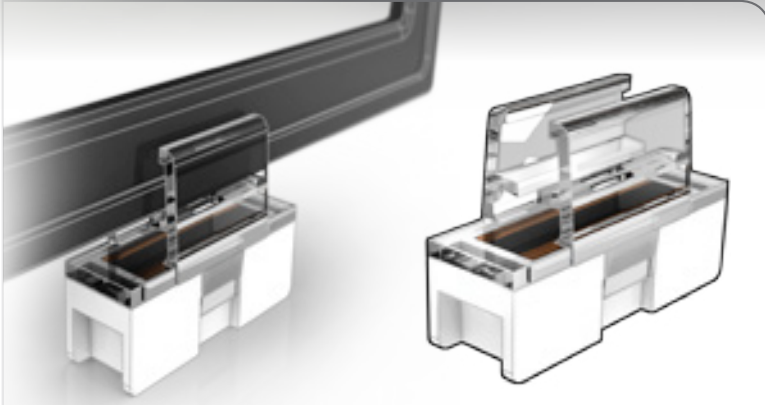
LHK03 | CT-FC



- Clear plastic clip
- Loop allows hanging with cord or accommodates S-hooks for hanging in a wide range of environments
- 40pcs/carton

Looped Frame Clip

LHK03 | L-FC



- Attaches plastic frames to metal surfaces
- Maximum load - 3kg
- Ideal for fridges and check-out isles
- 40pcs/carton

3kg Frame Magnet

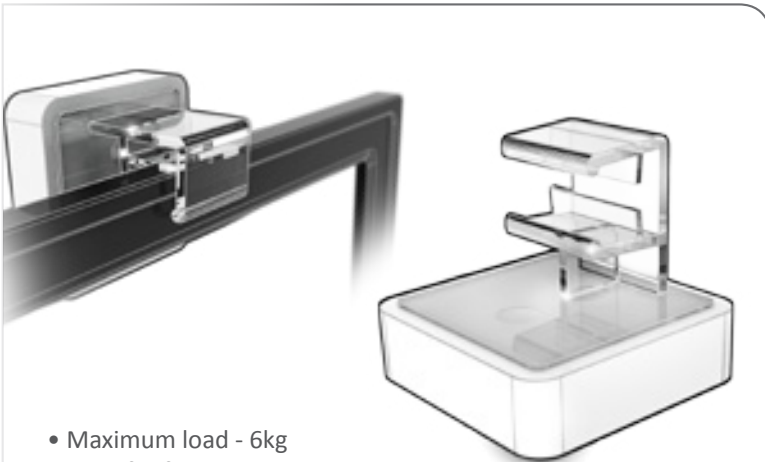
LHK03 | 3KG-FC



- Attaches plastic frames to metal surfaces
- Maximum load - 6kg
- Ideal for fridges and check-out isles
- 40pcs/carton

6kg Frame Magnet

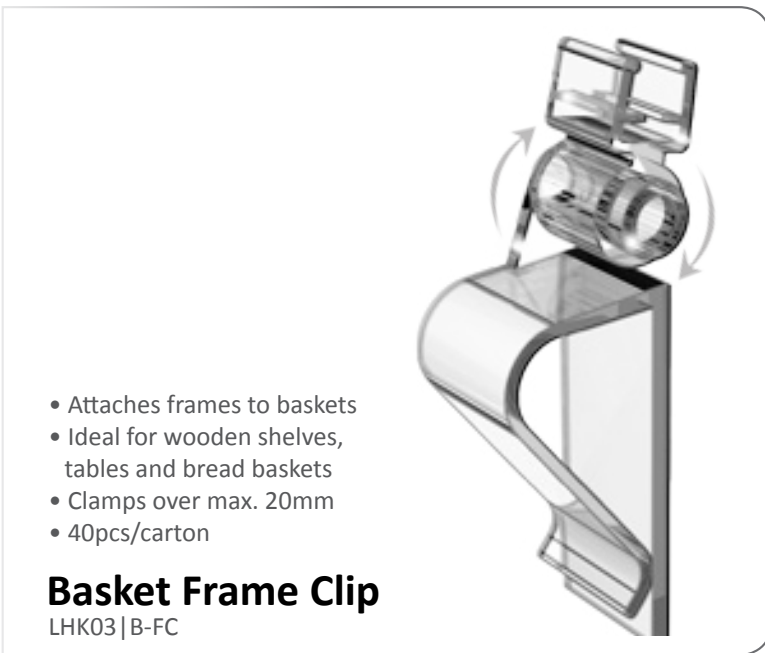
LHK03 | 6KG-FC



- Maximum load - 6kg
- Ideal for fridges
- Attaches plastic frames to vertical metal surfaces
- 40pcs/carton

Frame Down-Display Magnet

LHK03 | 6KG-FC



- Attaches frames to baskets
- Ideal for wooden shelves, tables and bread baskets
- Clamps over max. 20mm
- 40pcs/carton

Basket Frame Clip

LHK03 | B-FC



- Large, clear plastic gripper
- Attaches frames to multiple areas that have bigger fixtures, such as clothing fixtures, bread trollies, etc
- Clamps over max. 30mm
- 40pcs/carton



Large Frame Gripper

LHK03 | LF-GRIP



- Clear plastic bottle-top attachment
- Fixes frames to a variety of bottles
- Ideal for 2L bottles, wine bottles, etc
- 20pcs/carton

Bottle-top Frame Clip

LHK03 | BTOP-FC

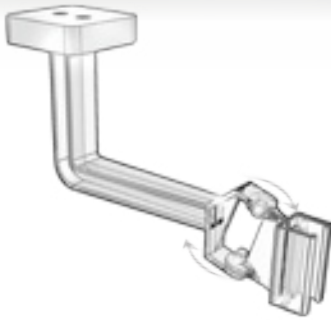


- Clear plastic bottle-top attachment
- Fixes promo cards to a variety of bottles
- Ideal for 2L bottles, wine bottles, etc
- 20pcs/carton

Bottle-top Card Holder

LHK03 | BTOP-CH

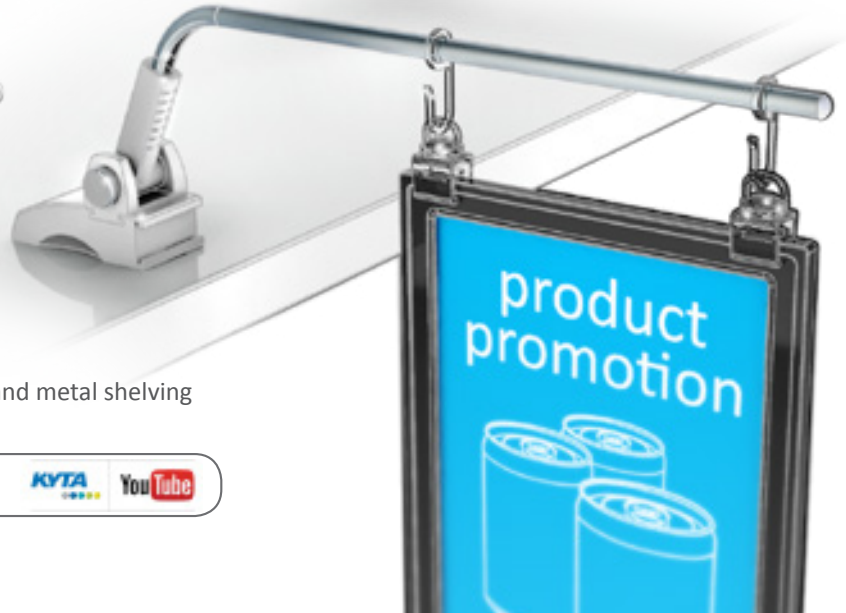




- Clear plastic magnetic swing-arm
- Attaches frames to metal shelf edges
- Allows frame to auto-return to a straight position after it has been knocked
- Ideal for high shelves where frames may be knocked by ladders or forklifts
- 10pcs/carton

Clear Magnetic Swing Arm

LHK03 | CMS-ARM



- Suspends plastic frames, POS banners and demarcation from metal shelves
- High-strength industrial magnet ensures stability
- Angle-adjustable
- Ideal for wide variety of applications, including fridges and metal shelving
- 10pcs/carton

[Click here to check out our Magnetic Banner Arm video!](#)



Magnet Arm

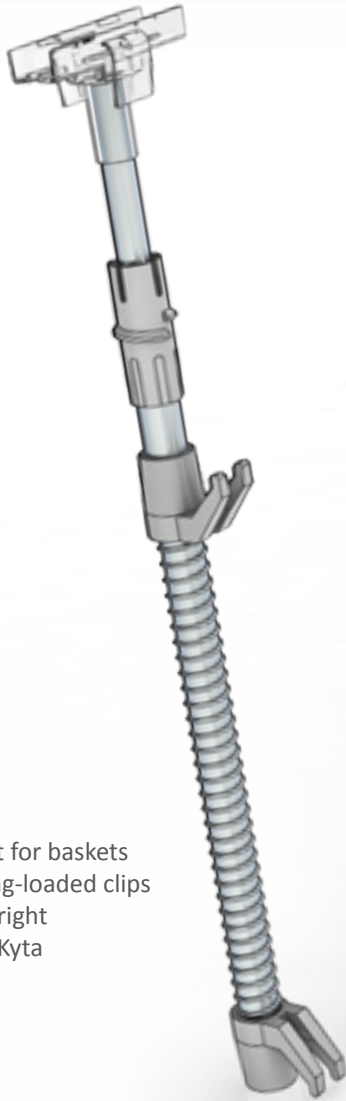
LHK03 | MAG-ARM



- Suspends frames and banners from smooth surfaces
- Includes 2x clear plastic hooks (frame and frame clips not included)
- High-strength spring-clamp suction cup ensures stability
- Ideal for glass doors, windows and fridges
- 10pcs/carton

Suction Cup Arm

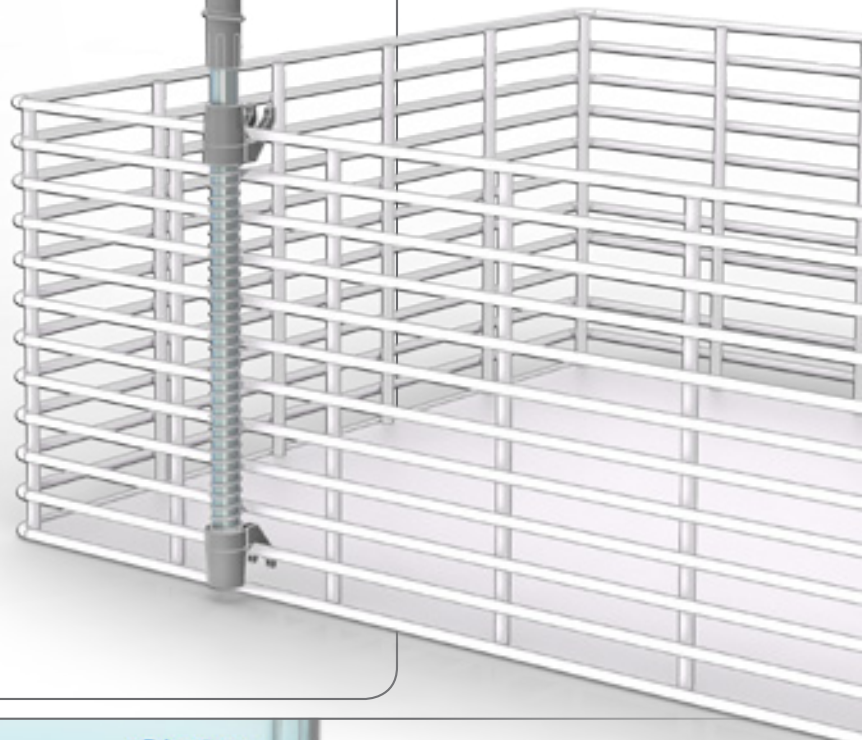
LHK03 | SUC-ARM



- Universal attachment for baskets
- Fully adjustable spring-loaded clips
- Height adjustable upright
- Full integration with Kyta rigid frame range



“ Use the telescopic frame arm for baskets with our rigid frames ”



Telescopic Frame Arm for Baskets

LHK03 | TEL-SCOPE

- Small metal lollipop stand with heavy base
- Ideal for display on promotional tables
- Available in black and bright alu
- 20pcs/carton
- Height: 150mm - fixed



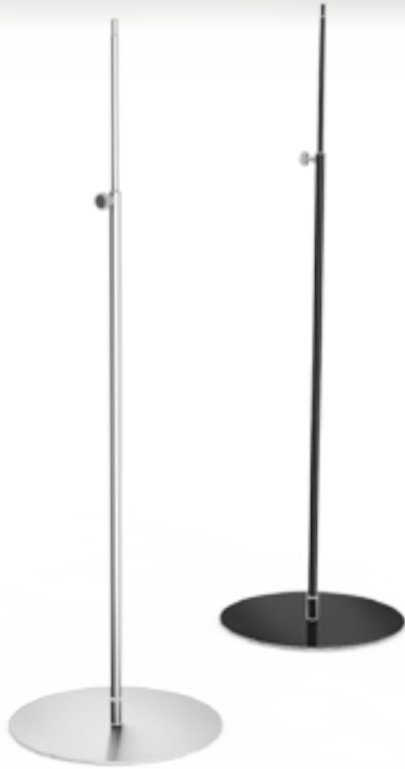
Micro Lolly
05K03 | MIC-LOL



- Allows plastic frames to be mounted on metal lolly stands
- Available in black and clear
- 20pcs/carton



Plastic T-Clamp
04K03 | T-CLAMP



- Robust metal lolly stand with round base
- Telescopic (height-adjustable)
- Available in black and bright alu
- Ideal for floor promo displays or dump bins
- 20pcs minimum ordering quantity
- Height: 800-1400mm

Telescopic Lolly - Round

05K03 | TL0L-R



- Robust metal lolly stand with square base
- Telescopic (height-adjustable)
- Available in black and bright alu
- Ideal for floor promo displays or dump bins
- 20pcs minimum ordering quantity
- Height: 800-1400mm

Telescopic Lolly - Square

05K03 | TL0L-SQ

“ Partners with plastic t-clamp and rigid frame system ”



- Robust metal lolly stand with square base and four suction cups
- Partners with plastic T-clamp and Rigid Frame system
- Available in black and bright alu
- Ideal for table/shelf-top promotional displays
- 20pcs minimum ordering quantity
- Available in 40mm, 150mm and 300mm high versions

Suction Lolly

40mm high Suction Lolly: 05K03 | SUC-L0L40
 150mm high Suction Lolly: 05K03 | SUC-L0L150
 300mm high Suction Lolly: 05K03 | SUC-L0L300



- Metal shelf clamp
- Partners with plastic T-clamp and Rigid Frame system
- Available in black and electroplated steel
- Ideal for clamping to most store fixtures
- 20pcs minimum ordering quantity

Metal Shelf Clamp

06K03 | MET-SHLP



- Short aluminium lollypop stand with round metal base
- Telescopic (height-adjustable)
- Silver-alu finish
- Ideal for smaller low-impact promotional displays
- 20pcs minimum ordering quantity
- Height: 280-530mm

Telescopic Lite Lolly - Short

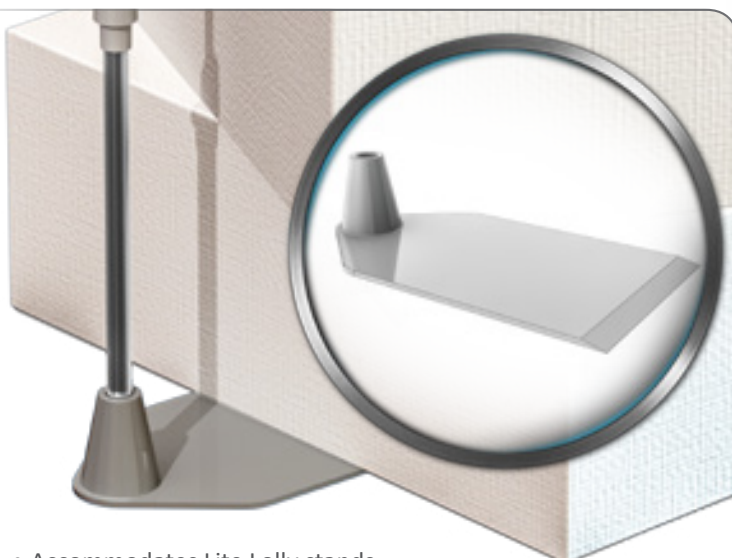
LHK03|TLOL-HLS



- Tall aluminium lollypop stand with round metal base
- Telescopic (height-adjustable)
- Silver-alu finish
- Ideal for bigger low-impact promotional displays
- 20pcs minimum ordering quantity
- Height: 800-1580mm

Telescopic Lite Lolly - Tall

LHK03|TLOL-HLT



- Accommodates Lite Lolly stands
- Slides underneath product
- Suitable for merchandising on a table, top shelf or counter (not suitable for dump bins or floor use).

Plastic Foot Base for Lite Lolly

LHK03|PFR-BASE